



**GROUPE DE
FILTRATION
5.7M³/H
AVEC TIMER**

58497
Hmax 1.5 m

SAND FILTER OWNER'S MANUAL

SAFETY INSTRUCTIONS

WARNING **IMPORTANT SAFETY INSTRUCTIONS -** **READ AND FOLLOW ALL SAFETY INSTRUCTIONS -** **SAVE THESE INSTRUCTIONS**

When installing and using this electrical equipment, basic safety precautions should always be followed, including the following:

- The pump is to be supplied by an isolating transformer or supplied through a residual current device (RCD) having a rated residual operating current not exceeding 30 mA.
- The power source on the wall of building should keep more than 4m away from pool.
- The appliance must be supplied by earthed power source.
- **RISK OF ELECTRIC SHOCK** - The pump cannot be using while people are inside the pool. Forbid the access of the pool in case of damage of the sand filter.
- **DO NOT BURY CORD.** Locate cord to minimize abuse from lawn mowers, hedge trimmers, and other equipment.
- To reduce the risk of electric shock, replace damaged cord immediately.
- If the supply cord is damaged, it must be replaced by the manufacturer, its service agent or similarly qualified persons in order to avoid a hazard.
- Extension cords can't be used.
- Risk of electric shock. Using the sand filter with an unmatched electrical supply is dangerous and will permanently damage the sand filter.
- Do not remove the grounding prong or modify the plug in anyway. Do not use adaptor plugs. Consult a qualified electrician for any questions relating to validity of your plugs or grounding.
- Handle the sand filter with care. Do not pull or carry the sand filter by the power cord. Never pull a plug from the outlet by yanking

the power cord. Keep cord free from abrasions. Sharp objects, oil, moving parts, and heat should never be exposed to the sand filter.

- Always unplug this product from the electrical outlet before removing, cleaning, servicing or making any adjustment to the product.
- Don't plug or unplug the appliance if hand is wet.
- Always unplug the appliance:
 - On raining days
 - Before cleaning or other maintenance
 - Leave it unattended on holidays
- When the appliance will be not used for long time, such as in the winter, the pool set should be disassembled and stored indoor.
- **CAUTION:** Read the instruction before using the appliance and installation/reassembly every time.
- Safekeeping the instruction. For reconstruction the pool set every time, please always refer to the instructions.
- Electric installations should follow national wiring rules. Consult a qualified electrician for any questions.

CAUTION: This sand filter is for use with storable pools only. Do not use with permanently-installed pools. A storable pool is constructed so that it is capable of being readily disassembled for storage and reassembled to its original integrity. A permanently-installed pool is constructed in or on the ground or in a building such that it cannot be readily disassembled for storage.

- This appliance can be used by children aged from 8 years and above and persons with reduced physical, sensory or mental capabilities or lack of experience and knowledge if they have been given supervision or instruction concerning use of the appliance in a safe way and understand the hazards involved. Children shall not play with the appliance. Cleaning and user maintenance shall not be made by children without supervision. (For EU market)
- This appliance is not intended for use by persons (including children) with reduced physical, sensory or mental capabilities, or lack of experience and knowledge, unless they have been given supervision or instruction concerning use of the appliance by a person responsible for their safety. Children should be supervised

to ensure that they do not play with the appliance. (For market other than EU)

- Cleaning and user maintenance must be performed by an adult above 18 years old who is familiar with the risk of electric shock.

NOTES:

- Place the sand filter on solid, level ground. Ensure the sand filter is at least 2 meters away from poolside. Keep distance as far as possible.
- Pay attention to position pool and sand filter so adequate ventilation, drainage, and access for maintenance is available. Never place the sand filter in an area that may accumulate water, or on a walking path with lots of foot traffic.
- It is necessary to have the plug accessible after installation of the pool. The plug of the sand filter shall be at least 3.5m away from the pool.
- Atmospheric conditions may affect the performance and life span of the sand filter; take adequate precautions to protect the sand filter from unnecessary wear and tear that may occur during periods of cold or hot weather and/or exposure to sun.
- Please examine and verify all sand filter components are present before use. Notify Bestway at the customer service address listed on this manual for any damaged or missing parts at the time of purchase.
- It is imperative to change as soon as possible all deteriorated parts. Only use parts approved by the manufacturer.
- Do not allow children or adults to lean or sit on the apparatus.
- Do not add chemicals to the sand filter.
- When chemical products are used to clean the pool water, it is recommended to respect a minimum filtration time to preserve the health of swimmers which depends on compliance of health regulation.
- Only the media provided or specified by the manufacturer is to be used with product installation.
- It is essential to check that the suction openings are not obstructed.
- It is advisable to stop the filtration during maintenance operations on the filtration system.
- Regularly monitor the filter clogging level.

- A weekly check is recommended for backwashing or cleaning. Minimum daily filtration operating time of 8 hours is recommended to ensure clear pool water.
- It is essential to change any damaged element or set of elements as soon as possible. Use only parts approved by person responsible for placing the product on the market.
- All filters and filter media shall be inspected regularly to ensure that there is not a build-up of detritus thus preventing good filtration. The disposal of any used filter media should also be in accordance with applicable regulations/legislation.
- Mind all the safety requirements and recommendations described in the manual. In case of doubt on the pump or any circulation devices, contact a qualified installer, or the manufacturer/importer/distributor. The water circulation installation shall comply with the European as well as national/local regulations, especially when dealing with electrical issues. Any change of valve position, pump size, grille size can cause a change of the flow and the suction velocity can be increased.
- This product is not intended for commercial use.

Please read the instruction manual carefully and keep it for future reference.

SAVE THESE INSTRUCTIONS

PUMP DISPOSAL



Meaning of crossed-out wheeled dustbin:

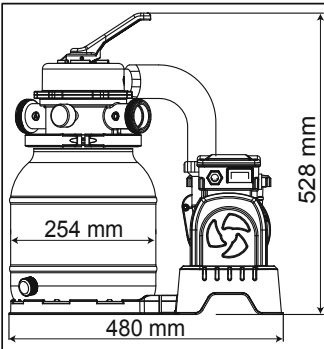
Do not dispose of electrical appliances as unsorted municipal waste, use separate collection facilities.

Contact your local government for information regarding the collection systems available.

If electrical appliances are disposed of in landfills or dumps, hazardous substances can leak into the groundwater and get into the food chain, damage your health and well-being.

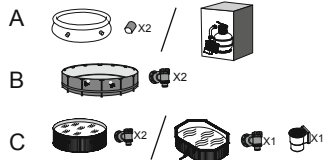
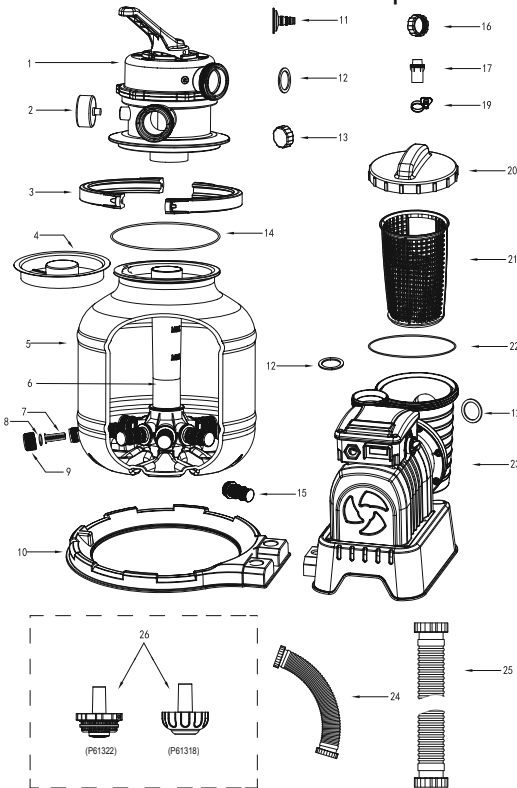
When replacing old appliances with new ones, the retailer is legally obligated to take back your old appliance for disposals at least free of charge.

SPECIFICATIONS

	Filter Diameter:	254 mm
	Effective Fiter Area:	0.05 m ² (0.54 ft ²)
	Max. Operating Pressure:	0.83 Bar(12 PSI)
	Working sand filter pressure:	<0.45 Bar(6.5 PSI)
	Max. Water Temperature:	35°C
	Sand:	Not included
	Sand Size:	#20 silica sand,0.45-0.85 mm
	Sand Capacity:	Approximately 9 kg

PARTS REFERENCE OVERVIEW

Before assembling the sand filter, take a few minutes to become familiar with all the sand filter parts.

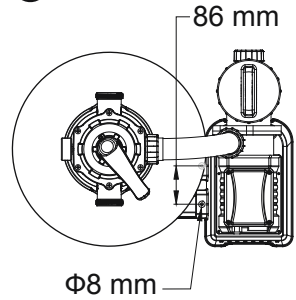


REF.NO	SPARE PART NO.	A	B	C
1	P05243	1	1	1
2	P61138ASS16	1	1	1
3	P05242	2	2	2
4	P61209ASS16	1	1	1
5	P05237	1	1	1
6	P03838	1	1	1
7	P61211ASS16	1	1	1
8	P6581ASS16	1	1	1
9	P6580ASS16	1	1	1
10	P05241	1	1	1
11	P6614ASS16	1	1	1
12	P6029ASS16	5	5	5
13	P05240	1	1	1
14	P61214ASS16	1	1	1
15	P03841	8	8	8
16	P05236	1	1	1
17	P6916ASS16	2	2	0
19	P6124ASS16	2	2	0
20	P6561ASS16	1	1	1
21	P6562ASS16	1	1	1
22	P6563ASS16	1	1	1
23	P05239	1	1	1
24	P05235	1	1	1
25	P05238	2	2	2
26	P61322ASS16	1	0	0
	P61318ASS16	1	0	0

Assembly (You will need a screwdriver.)



1. Carefully remove all components from the package and check to ensure nothing is damaged. If equipment is damaged, immediately notify the retailer from where the equipment was purchased.
2. The sand filter should be placed on solid, level ground, preferably a concrete slab. Position the sand filter so the Ports and Control Valve are accessible for operation, servicing and winterizing.
3. EN60335-2-41 TEST standard requires the sand filter to be vertically fixed on ground or a certain pedestal made of wood or concrete before use to prevent the sand filter from accidentally falling. Fully assembled sand filter will exceed 18 kg. The mounting holes should be 8 mm in diameter and spaced 86 mm apart. Use two bolts and nuts with a maximum of 8 mm in diameter to fasten the sand filter to the pedestal.



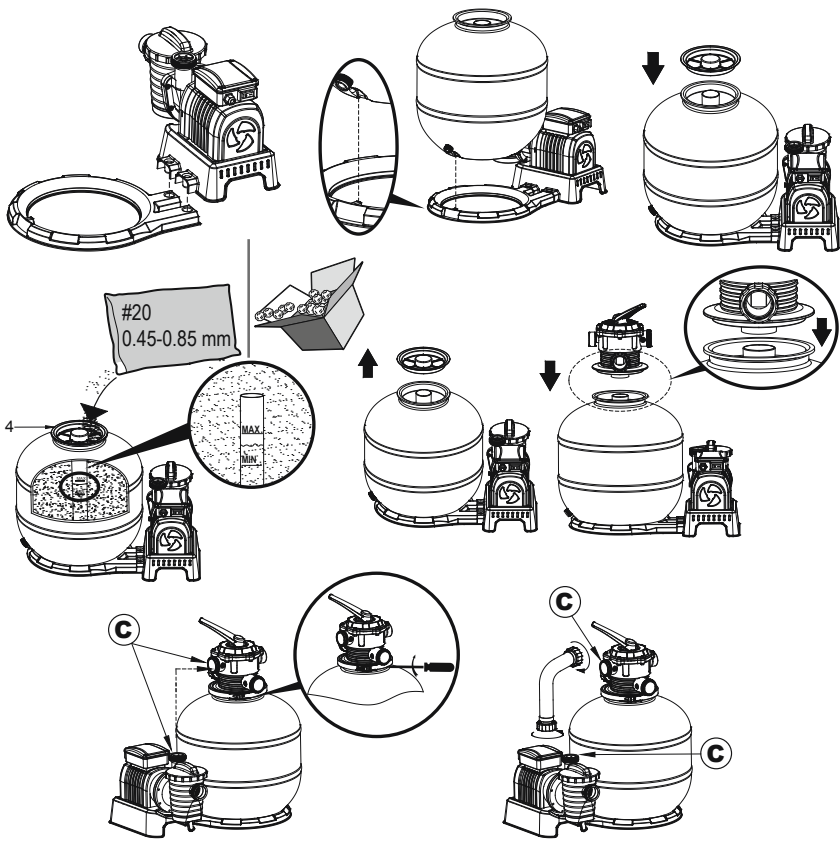
Load pool-grade filter sand / glass / Flowclear™ Polysphere.

NOTE: Use only special pool-grade filter sand, free of all limestone or clay: #20 Silica sand 0.45-0.85 mm, approximately one 9 kg bag should suffice. If you do not use the recommended size filter sand, filtering performance will be reduced and the sand filter may be damaged, thereby voiding warranty. If you use glass: 0.4-1.6 mm, around 7.2 kg.

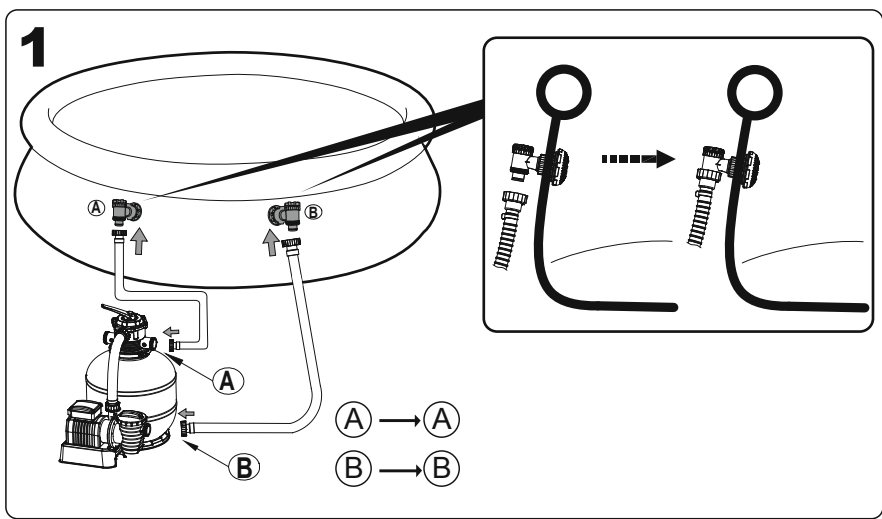
NOTE: To avoid damaging the Skimmer when adding sand, pour some water into the Bottom Tank to submerge the Skimmer on the Collector Hub.

NOTE: Sand / glass / Flowclear™ Polysphere not included.

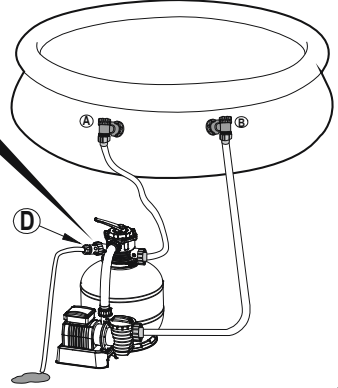
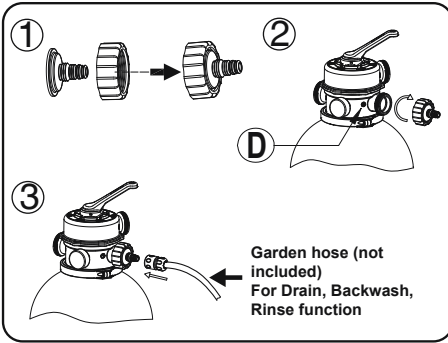
NOTE: Use 28 g (0.06 lbs) Flowclear™ Polysphere to replace 1 kg (2.20 lbs) sand.



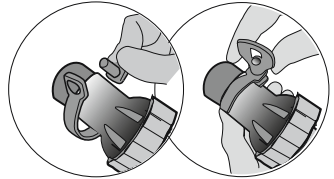
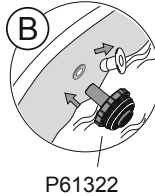
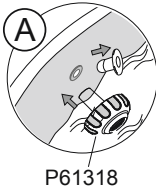
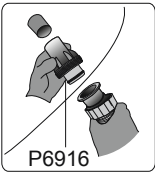
Connect to the pool



2



For pool with 32 mm(1.25 in.) valve



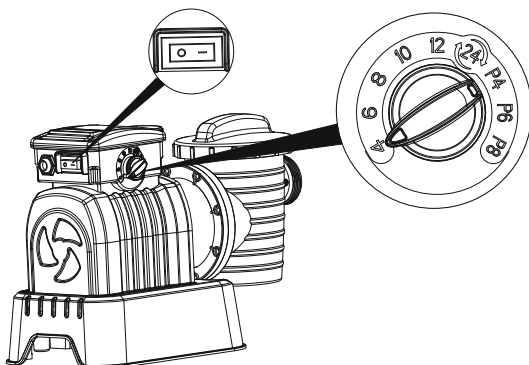
STOP Before switching on, please read the manual carefully.

OPERATION

Timer

1. Plug into power source, adjust power switch to “ON” (-) position. The sand filter will begin working immediately.
2. Adjust power switch to “OFF” (0) position. The sand filter will stop working immediately.
3. After turning on, you can adjust work time, rest time and cycle time by turning the knob to desired position. See the table below for more details.
4. When the timer knob is moved into new position, the filter’s previous cycle automatically cancels so new cycle can begin.
5. Each time the filter is powered on or restarted, a new cycle will begin based on timer knob position.

NOTE: If the knob is adjusted to the 24-hour position (24), the sand filter will work continuously without any rest period.



Knob Position	Working time(H)	Rest time(H)	Cycle period(H)
4	4	20	24
6	6	18	24
8	8	16	24
10	10	14	24
12	12	12	24
24	24	0	24
P4	4	4	8
P6	6	6	12
P8	8	8	16

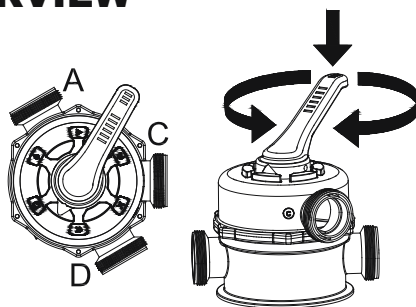
CONTROL VALVE OVERVIEW

WARNING: To prevent equipment damage and possible injury, always switch off sand filter before changing the Control Valve function.

Changing valve positions while the pump is running can damage the Control Valve, which may cause personal injury or property damage.

How to Use the Control Valve:

Press down on the Control Valve handle and rotate to desired function.

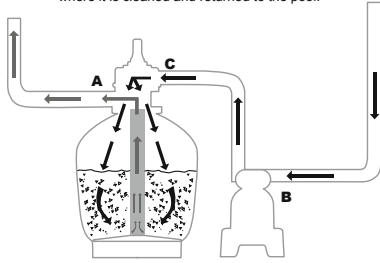


CONTROL VALVE FUNCTIONS

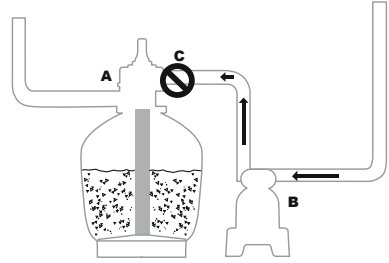
The Control valve is used to select 6 different filter functions: Filter, Closed, Backwash, Rinse, Drain and Circulate.



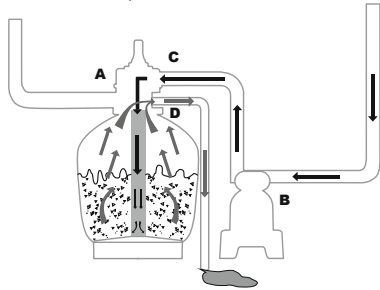
Filter: This function is used to filter pool water and should be positioned here 99% of the time. Water is pumped through the sand filter, where it is cleaned and returned to the pool.



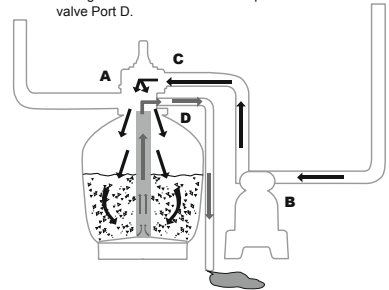
Closed: This function stops water flowing between the sand filter and the pool.



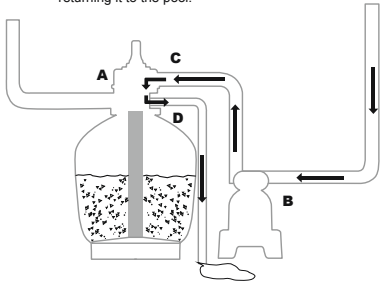
Backwash: This function is used to clean the sand bed; water is pumped down through the Collector Hub, upwards through the sand bed, and deposited out of Port D.



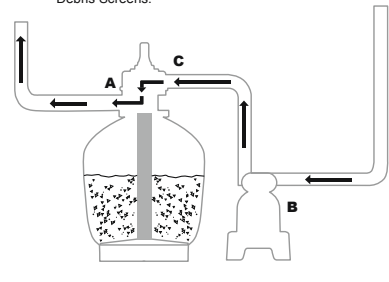
Rinse: This function for initial startup, cleaning, and sand bed leveling after Backwash; water is pumped downwards through the sand bed, up through the Collector Hub and deposited out of the valve Port D.



Drain: This function drains water from the pool, another filter bypass setting, water is pumped and deposited out of Port D, instead of returning it to the pool.



Circulate: This function circulates pool water bypassing the sand filter; use this function if the filter is broken to collect debris in the Debris Screens.



NOTE:

- Be sure all provisions for wastewater disposal meet applicable local, state or national codes. Do not discharge water where it will cause flooding or damage.
- When the Control Valve is set to the Backwash, Rinse, or Drain position, water will discharge from Port D on the Control Valve.

- Do not switch on or operate the sand filter with the Control Valve set to the Closed function or it will seriously damage the sand filter.
- Do not set the Control Valve between two functions, or it will lead to leaking.
- To avoid water leakage, screw the Port D Cap onto the Control Valve Port D before operating the sand filter.

Air Release

Press down the control valve handle and wait until the water flow from Port D to release the air.

NOTE: It is important to repeat this operation every time you start the pump after winterizing, maintenance and backwashing the sand bed.

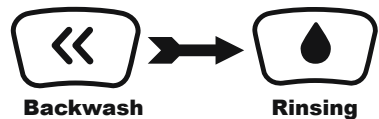
FIRST TIME USE INSTRUCTIONS

Backwash and Rinsing must be performed to prepare the pump for its first use and to wash the sand.

CAUTION: DO NOT DRY RUN THE SAND FILTER

1. Press down on the Control Valve handle and rotate to the Backwash function.
2. Plug in and run the sand filter for 3-5 minutes, or until the water runs clear.
3. Switch off the sand filter and set the Control Valve to the Rinse function.
4. Switch on the sand filter and run the sand filter for 1 min. This circulates water backwards through the sand filter and drains water out Port D.
5. Switch off the sand filter. Set the Control Valve to the Closed function.
6. Top up pool water if required.

IMPORTANT: This procedure removes water from the pool, which you'll need to replace. Switch off the sand filter immediately if water levels near the pool's Inlet and Outlet valves.

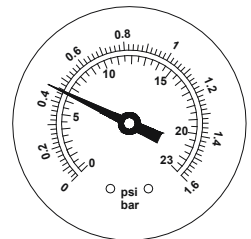


1. Now the sand filter is ready for use. Set the Control Valve to the Filter function.

NOTE: To prevent the risk of electrical shock dry any excess water from yourself and the sand filter.

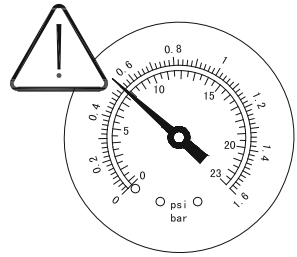
2. Switch on the sand filter to run it.

NOTE: The sand filter has now started its filtering cycle. Check that water is returning to the pool and take note of the filter pressure on Pressure Gauge. Generally, the recommended sand filter pressure is less than 0.45 Bar (6.5 PSI) when it is running.



Sand Filter Maintenance

CAUTION: You must ensure the sand filter is switched off and unplugged before any maintenance begins or severe risk of injury or death exists. As dirt builds up in the sand filter, the pressure reading on Pressure Gauge will increase. When the Pressure Gauge is 0.45 Bar (6.5 PSI) or higher, or water flow to the pool is too low, it is time to clean the sand. To clean the sand bed, follow all instructions outlined previously in: **Backwash and Rinsing.**

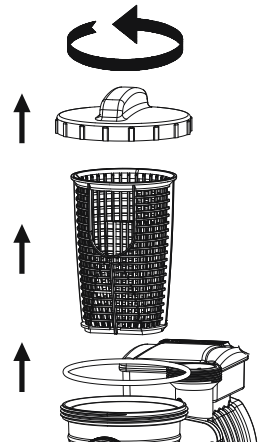


NOTE: Pressure gauge is for maintenance purpose only, and the pressure gauge value is just for reference, it should not be used as a precision instrument.

NOTE: We recommend you clean the sand bed once a month or less regularly depending on how often the pool is used. Do not clean the sand too frequently.

Cleaning the Strainer

1. Switch off the sand filter and set the Control Valve to the Closed function.
2. Close the connection valves.
3. Remove the Strainer Cover by unscrewing it.
4. Take out the Strainer, remove any debris.
5. Put the Strainer back into position. Ensure the hole in the strainer is aligned.
6. Ensure the Seal Ring is in place. Secure the Strainer Cover back.
7. Open the connection valves.



NOTE: The Strainer must be emptied and cleaned periodically. A dirty or blocked strainer will reduce the performance of the sand filter.

Lowering or Draining Pool Water

1. Backwash the sand filter.
2. Detach the Hose from the pool's Port A and sand filter Port A and attach to Port D.

NOTE: Remember to replace the Debris Screen with Stopper Plug to prevent water from escaping.

3. Switch on the sand filter to remove pool water.

WARNING: DO NOT DRY RUN THE SAND FILTER.

Winterizing

In areas that have freezing winter temperatures, pool equipment must be winterized to protect against damage. Allowing water to freeze will damage the sand filter and void warranty.

1. Backwash the sand filter.
2. Drain the pool according to the pool owner's manual.
3. Unscrew the drain valve cap at the bottom of the tank and release the remaining water.
4. Disconnect the two Hoses from the pool and the sand filter.
5. Completely pour the sand out of the tank and dry all components.
6. Store the sand filter in a dry location out of child's reach.

TROUBLESHOOTING

Problems	Probable Causes	Solutions
Sand is flowing to the pool	<ul style="list-style-type: none"> - Sand is too small - Move the control valve from the backwash to the filter function without stop the sand filter - The level of the sand is too high - The skimmer is broken 	<ul style="list-style-type: none"> - Recommend 0.45 mm to 0.85 mm #20 silica sand - Stop the sand filter every time set the control valve - Check if the level of the sand is between the marked "MAX" and "MIN" on the collector hub - Replace the skimmer
No water flow	<ul style="list-style-type: none"> - Stopper plugs were not removed - Air was not released - The control valve is set to Closed - The strainer is blocked - Sand filter broken 	<ul style="list-style-type: none"> - Remove the stopper plugs and insert the debris screens - Release the air - Set to filter function - Clean the strainer - Call for service
Excessive filter pressure	<ul style="list-style-type: none"> - Dirty filter - Calcified sand bed - Insufficient backwashing - The pressure gauge is broken 	<ul style="list-style-type: none"> - Backwash - Inspect sand and change if necessary - Backwash until water runs clear - Replace the pressure gauge
Control Valve leaks from the port D	<ul style="list-style-type: none"> - Control Valve is set between two functions - The gasket is broken 	<ul style="list-style-type: none"> - Set to one function - Replace the gasket
Connectors leak	<ul style="list-style-type: none"> - Washer of the connectors not in place - Washer of the connectors broken - Loose Hoses 	<ul style="list-style-type: none"> - Reposition the washer - Replace the washer - Tighten them

GROUPE DE FILTRATION

MANUEL DE L'UTILISATEUR

CONSIGNES DE SÉCURITÉ

ATTENTION

IMPORTANTES CONSIGNES DE SÉCURITÉ LISEZ ET RESPECTEZ TOUTES CES INSTRUCTIONS DE SECURITE. À LIRE ATTENTIVEMENT ET À CONSERVER POUR UNE CONSULTATION ULTÉRIEURE.

Vous devez toujours respecter les précautions de sécurité de base concernant l'installation et l'utilisation de cet équipement électrique qui comprennent :

- La pompe doit être munie d'un transformateur de séparation ou d'un dispositif à courant résiduel (RCD) qui répond avec une intensité de courant ne dépassant pas 30 mA.
- La source de courant sur le mur du bâtiment doit être à plus de 4m de la piscine.
- L'appareil doit être alimenté par une source électrique mise à la terre.
- **RISQUE D'ÉLECTROCUTION** - Il est interdit d'utiliser la pompe quand des gens se trouvent à l'intérieur de la piscine. Interdire l'accès au bassin en cas de détérioration du ou des système(s) de filtration.
- **NE PAS ENTERRER LE CORDON.** Placer le cordon de manière à minimiser les risques encourus par le passage de tondeuses, tronçonneuses et autres équipements.
- Pour réduire les risques d'électrocution, remplacer immédiatement tout cordon endommagé.
- Si le câble d'alimentation est endommagé, il doit être remplacé par le fabricant, son service après vente ou des personnes de qualification similaire afin d'éviter un danger.
- Il est impossible d'utiliser des rallonges.
- Risque d'électrocution. L'utilisation du filtre à sable avec une alimentation électrique non correspondante est dangereuse et peut endommager de manière permanente le filtre à sable.
- N'enlevez pas la broche de mise à terre et ne modifiez d'aucune manière la fiche. N'utilisez pas de fiches d'adaptation. Consultez un électricien qualifié pour toutes les questions concernant la validité de vos fiches ou de la mise à terre.
- Manipulez le filtre à sable avec soin. Ne tirez pas ou ne transportez pas le

filtre à sable par son cordon d'alimentation. Ne débranchez jamais une fiche de la prise en tirant sur le cordon d'alimentation. Le cordon doit être sans abrasions. N'exposez jamais le filtre à sable à des objets pointus, de l'huile, des pièces en mouvement et de la chaleur.

- Débranchez toujours l'appareil de la prise électrique avant d'enlever, de nettoyer, de réparer toute pièce et d'effectuer tout réglage sur l'appareil.
- Ne pas brancher ou débrancher l'appareil avec les mains humides.
- Toujours débrancher l'appareil.
 - Les jours de pluie
 - Avant le nettoyage ou une autre opération de maintenance
 - Si vous partez en vacances
- Si l'appareil ne doit pas être utilisé pendant une période prolongée comme en hiver, le kit de piscine doit être démonté et stocké à l'intérieur.
- **ATTENTION** : Lire les instructions avant chaque utilisation et installation/assemblage de l'appareil.
- Conservez les instructions. Pour la reconstruction de la piscine, à tout moment, consultez également les instructions.
- Les installations électriques doivent suivre les règles nationales de câblage. Consultez un électricien qualifié pour toutes les questions.

ATTENTION : Ce filtre à sable doit être utilisé uniquement dans des piscines démontables. Il ne doit pas être utilisé dans des piscines fixes. Une piscine démontable est conçue pour pouvoir être facilement démontée pour son stockage et remontée dans son intégrité d'origine. Une piscine fixe est construite sur ou dans le sol ou dans un bâtiment et elle ne peut pas être facilement démontée pour le stockage.

- Cet appareil peut être utilisé par des enfants à partir de 8 ans et plus et par des personnes avec des capacités physiques, sensorielles ou mentales réduites ou un manque d'expérience et de connaissances s'ils sont surveillés ou ont reçu des instructions concernant l'utilisation de l'appareil d'une manière sûre et s'ils comprennent les risques impliqués. Les enfants ne doivent pas jouer avec l'appareil. Le nettoyage et la maintenance ne doivent pas être effectués par un enfant sans surveillance. (Pour le marché européen)
- Cet appareil n'est pas conçu pour être utilisé par des personnes à capacités physiques, sensorielles ou intellectuelles réduites ou sans expérience et connaissances, s'ils sont sous surveillance ou bien s'ils ont été informés quant à l'utilisation de l'appareil par une personne responsable de leur sécurité. Surveiller les enfants pour s'assurer qu'ils ne jouent pas avec

l'appareil (pour le marché hors Union Européenne).

- Le nettoyage et la maintenance doivent être effectués par un personnel adulte de plus de 18 ans qui est consciente du risque de choc électrique.

REMARQUE :

- Placez le filtre à sable sur un sol solide et à niveau. Assurez-vous que le filtre à sable soit à au moins 2 mètres du bord de la piscine. La distance doit être la plus grande possible.
- Faites attention de placer la piscine et le filtre à sable de manière telle qu'une bonne ventilation, un bon écoulement et l'accès pour l'entretien soient disponibles. Ne placez jamais le filtre à sable dans une zone où de l'eau pourrait s'accumuler ou bien sur un sentier où beaucoup de personnes passent.
- La prise doit être accessible une fois la piscine installée. La prise du filtre à sable devra être à au moins 3,5 mètres de la piscine.
- Les conditions atmosphériques peuvent affecter les performances et la durée de vie du filtre à sable; prenez les précautions appropriées pour protéger le filtre à sable contre une usure non nécessaire qui pourrait se produire pendant des périodes de temps chaud ou froid et/ou après l'exposition au soleil.
- Contrôlez et vérifiez SVP que tous les composants du filtre à sable sont présents avant l'utilisation. Informez Bestway à l'adresse du service clientèle répertoriée dans ce manuel en cas de dommage ou de pièces manquantes au moment de l'achat.
- Il est impératif de changer dans les délais les plus brefs tout élément ou ensemble d'éléments détériorés. N'utiliser que des pièces agréées par le responsable de la mise sur le marché.
- Ne permettez pas à des enfants ou à des adultes de s'appuyer ou de s'asseoir sur l'appareil.
- N'ajoutez pas de produits chimiques dans le filtre à sable.
- Lorsque des produits chimiques ont été utilisés pour traiter l'eau du bassin, il est recommandé de respecter un temps minimum de filtration pour préserver la santé des baigneurs qui dépend du respect des règles sanitaires.
- Seuls les agents fournis ou spécifiés par le fabricant doivent être utilisés avec l'installation du produit.
- Il est essentiel de contrôler que les ouvertures d'aspiration ne sont pas obstruées.
- Il est conseillé d'interrompre la filtration durant les opérations d'entretien sur le système de filtration.
- Supervisez régulièrement le niveau d'obstruction du filtre.
- Il est recommandé de contrôler une fois par semaine le lavage à contre-courant

ou le nettoyage Le temps de fonctionnement minimal de la filtration quotidienne de 8 heures est recommandé pour garantir une eau de piscine limpide.

- Il est essentiel de modifier tout élément ou groupe d'éléments endommagé dès que possible. N'utilisez que des pièces agréées par la personne responsable de la mise sur le marché du produit.
- Tous les filtres et les agents de filtration doivent être inspectés régulièrement pour garantir que les débris ne s'accumulent pas car cela empêcherait une bonne filtration. L'élimination de tout agent de filtration utilisé doit être effectuée conformément aux règlements/lois applicables.
- Respectez toutes les recommandations et consignes de sécurité figurant dans la notice. En cas de doute sur la pompe ou tout dispositif de circulation, veuillez contacter un installateur qualifié ou bien le fabricant/l'importateur/le distributeur. L'installation de la circulation de l'eau doit être conforme aux directives européennes ainsi qu'aux règlements nationaux/locaux, en particulier en ce qui concerne les problèmes électriques. Tout changement de position d'une vanne, taille de pompe, taille de grille peut provoquer un changement de débit et la vitesse d'aspiration peut donc augmenter.
- Ce produit n'est pas destiné pour utilisation commerciale.

Veuillez lire attentivement la notice d'instructions et conservez-la pour pouvoir la consulter en cas de besoin.

CONSERVEZ CES INSTRUCTIONS

MISE AU REBUT



Signification du symbole d'un caisson d'ordures barré :

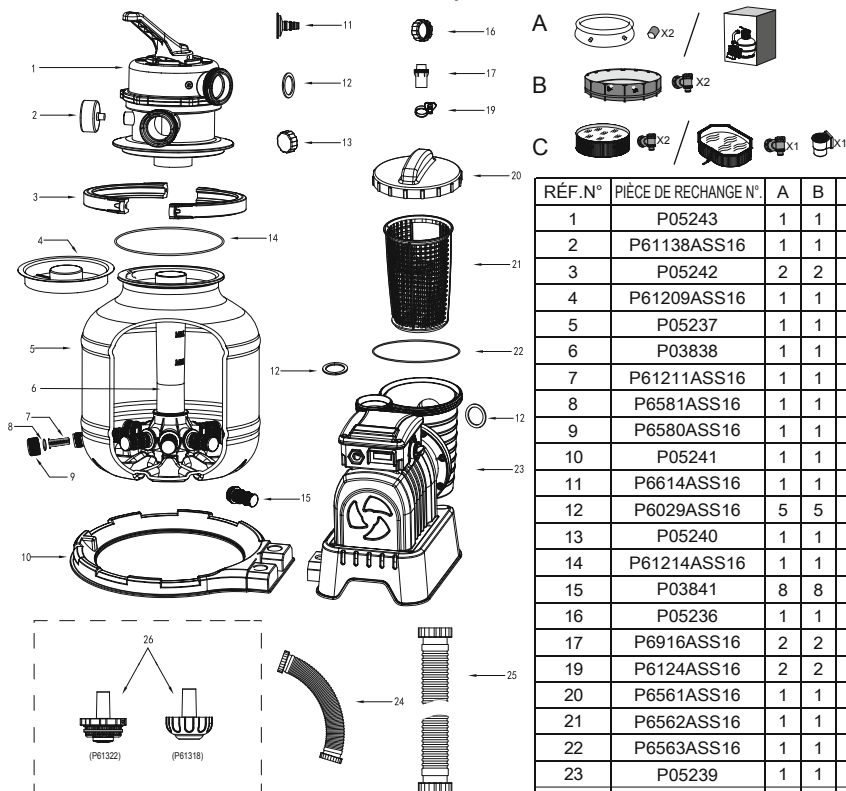
Ne pas éliminer les appareils électriques comme un déchet habituel, utiliser les systèmes de collecte séparés. Contactez votre collectivité locale pour les informations concernant les systèmes de collecte disponibles. Si les appareils électriques sont éliminés dans une décharge publique, des substances dangereuses peuvent s'écouler dans la nappe phréatique et entrer dans la chaîne alimentaire et porter atteinte à votre santé et à votre bien-être. Quand vous remplacez un ancien appareil par un nouveau, le détaillant a l'obligation légale de reprendre votre ancien appareil pour son élimination sans aucune dépense de votre part.

SPÉCIFICATIONS

	Diamètre du filtre :	254 mm
	Surface réelle de filtration :	0.05 m ² (0.54 ft ²)
	Pression maximale de fonctionnement :	0.83 Bar(12 PSI)
	Pression de fonctionnement du filtre à sable :	<0.45 Bar(6.5 PSI)
	Température maximale de l'eau :	35°C
	Sable :	Non compris
	Dimensions du sable :	#20 sable siliceux, 0,45-0,85 mm
	Capacité de sable :	Approximativement 9 kg

VUE D'ENSEMBLE DES PIÈCES

Avant de monter le filtre à sable, prenez quelques minutes pour vous familiariser avec toutes ses pièces.

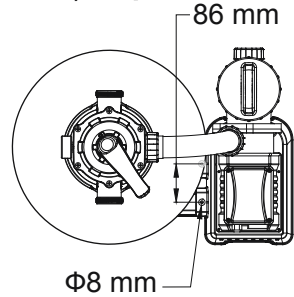


RÉF. N°	PIÈCE DE RECHANGE N°.	A	B	C
1	P05243	1	1	1
2	P61138ASS16	1	1	1
3	P05242	2	2	2
4	P61209ASS16	1	1	1
5	P05237	1	1	1
6	P03838	1	1	1
7	P61211ASS16	1	1	1
8	P6581ASS16	1	1	1
9	P6580ASS16	1	1	1
10	P05241	1	1	1
11	P6614ASS16	1	1	1
12	P6029ASS16	5	5	5
13	P05240	1	1	1
14	P61214ASS16	1	1	1
15	P03841	8	8	8
16	P05236	1	1	1
17	P6916ASS16	2	2	0
19	P6124ASS16	2	2	0
20	P6561ASS16	1	1	1
21	P6562ASS16	1	1	1
22	P6563ASS16	1	1	1
23	P05239	1	1	1
24	P05235	1	1	1
25	P05238	2	2	2
26	P61322ASS16	1	0	0
	P61318ASS16	1	0	0

Montage (Vous aurez besoin d'un tournevis.)



1. Enlevez tous les composants de l'emballage et contrôlez que rien ne soit endommagé. Si l'appareil est endommagé, avertissez immédiatement le revendeur chez lequel vous avez acheté l'appareil.
2. Le filtre à sable doit être placé sur un sol solide et à niveau, de préférence une dalle en béton. Placez le filtre à sable pour que les orifices et la soupape de réglage soient accessibles pour le fonctionnement, l'entretien et l'hivernage.
3. Le standard TEST EN60335-2-41 demande que le filtre à sable soit fixé en position verticale sur le sol ou sur un support en bois ou en béton avant de l'utiliser, afin d'éviter qu'il ne tombe accidentellement. Le filtre à sable complètement monté dépasse les 18 kg. Les trous de montage doivent avoir 8 mm de diamètre et être espacés de 86 mm. Utilisez deux écrous avec un diamètre maximal de 8 mm pour fixer le filtre à sable sur le support.



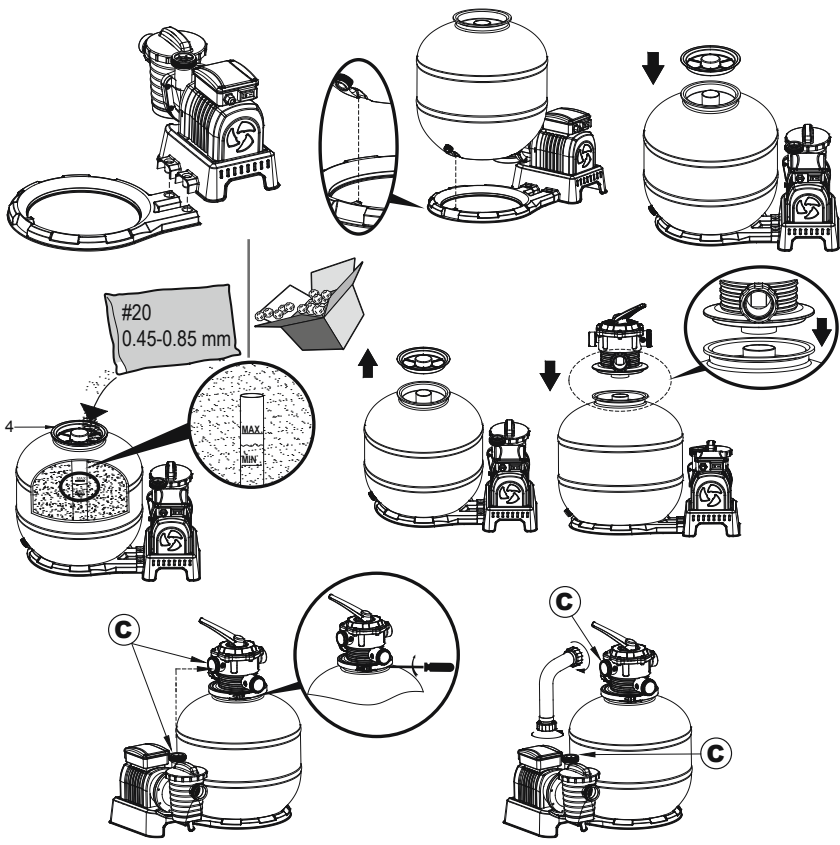
Remplissez de sable de filtration de qualité pour piscine / de verre / polysphères Flowclear™.

REMARQUE : Utilisez uniquement du sable pour filtre de piscine, sans calcaire ou argile: #20 sable siliceux 0,45-0,85 mm, un sachet de 9 kg environ devrait suffire. Si vous n'utilisez pas la taille recommandée de sable de filtration, les performances de filtration seront réduites et le filtre à sable peut être endommagé, annulant ainsi la garantie. Si vous utilisez du verre : 0.4-1.6 mm, environ 7.2 kg.

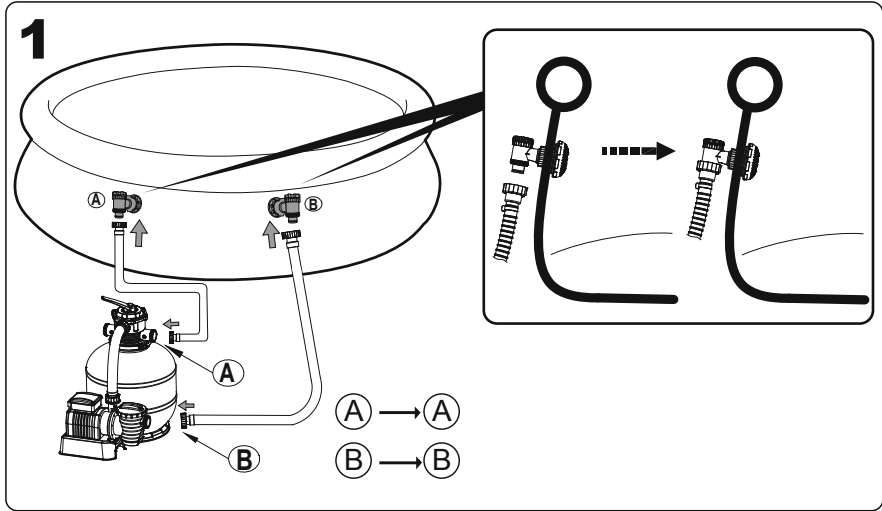
REMARQUE : Pour éviter d'endommager le dépollueur quand on ajoute le sable, versez un peu d'eau dans le réservoir pour immerger le dépollueur dans le collet de raccord.

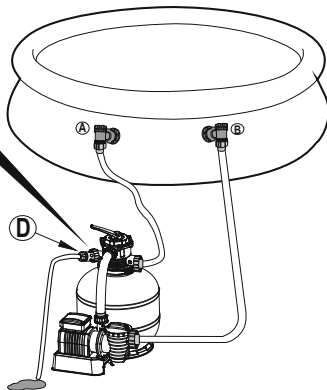
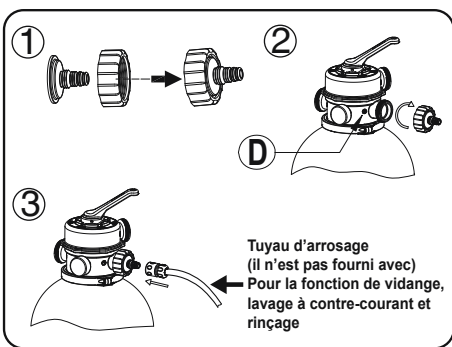
REMARQUE : Le sable / le verre / les polysphères Flowclear™ ne sont pas inclus.

REMARQUE : Utilisez 28 g (0,06 lbs) de polysphères Flowclear™ pour remplacer 1 kg (2,20 lbs) de sable.

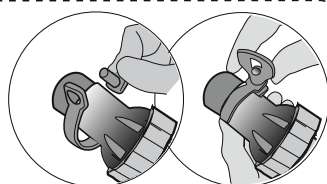
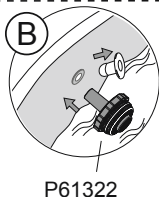
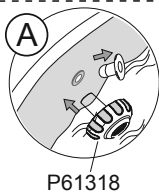
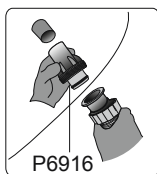


Raccordez à la piscine



2

Pour piscine avec vanne de 32 mm (1,25 po).



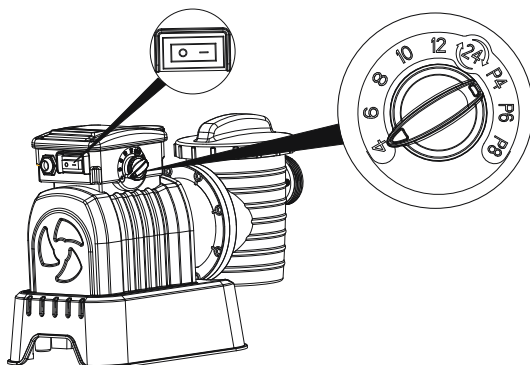
STOP Avant d'allumer, veuillez lire attentivement la notice.

FONCTIONNEMENT

Minuterie

1. Branchez sur la source de courant, réglez l'interrupteur sur la position "ON" (-). Le filtre à sable commence à fonctionner immédiatement.
2. Réglez l'interrupteur sur la position "OFF" (0). Le filtre à sable cesse de fonctionner immédiatement.
3. Après l'avoir allumé, vous pouvez régler la durée de fonctionnement, le temps de repos et la durée du cycle en tournant le bouton sur la position souhaitée. Consultez le tableau ci-dessous pour de plus amples détails.
4. Quand le bouton de la minuterie bascule sur une nouvelle position, le cycle précédent du filtre s'efface automatiquement afin que le nouveau cycle puisse commencer.
5. Chaque fois qu'on allume ou redémarre le filtre, un nouveau cycle basé sur la position du bouton commence.

REMARQUE : Si le bouton est réglé sur la position 24 heures (24), le filtre à sable fonctionnera continuellement sans aucune période de repos.



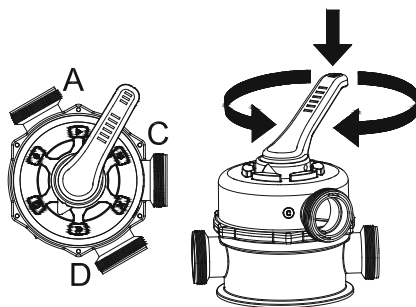
Position du bouton	Durée de fonctionnement (H)	Temps de repos (H)	Durée du cycle (H)
4	4	20	24
6	6	18	24
8	8	16	24
10	10	14	24
12	12	12	24
24	24	0	24
P4	4	4	8
P6	6	6	12
P8	8	8	16

VUE D'ENSEMBLE DE LA SOUPAPE DE RÉGLAGE

ATTENTION : Pour éviter des dommages à l'appareil et de possibles blessures, débranchez chaque fois la pompe du filtre à sable avant de changer la fonction de la soupape de réglage. Le changement de position de la soupape quand la pompe est en marche peut endommager la soupape de réglage, ce qui peut provoquer des blessures ou des dommages à l'appareil.

Comment utiliser la soupape de réglage

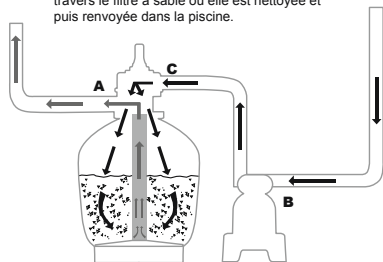
Appuyez sur la poignée de la soupape de réglage et tournez-la sur la fonction souhaitée.



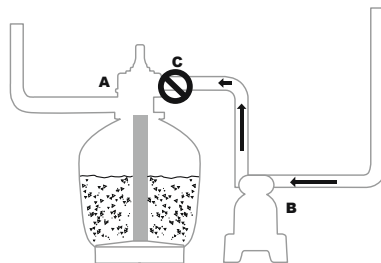
FONCTIONS DE LA SOUPAPE DE RÉGLAGE

La soupape de réglage est utilisée pour sélectionner 6 différentes fonctions du filtre: Filtration, Fermeture, Lavage à contre-courant, Rinçage, Drainage, Circulation.

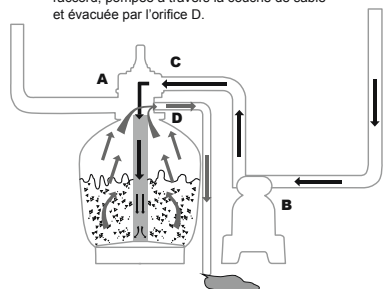
Filtration : Cette fonction est utilisée pour filtrer l'eau et de la piscine et la soupape est sur ce réglage 99% des fois. L'eau est pompée à travers le filtre à sable où elle est nettoyée et puis renvoyée dans la piscine.



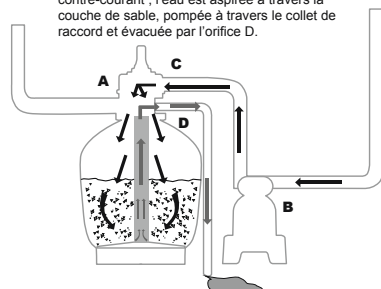
Fermeture : Cette fonction arrête le passage de l'eau entre le filtre à sable et la piscine.



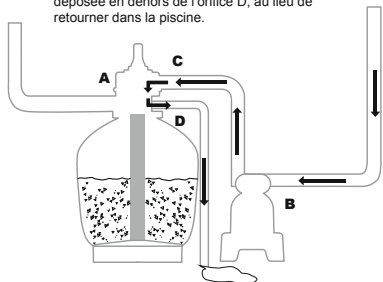
Lavage à contre-courant : Cette fonction est utilisée pour nettoyer la couche de sable ; l'eau est aspirée à travers le collet de raccord, pompée à travers la couche de sable et évacuée par l'orifice D.



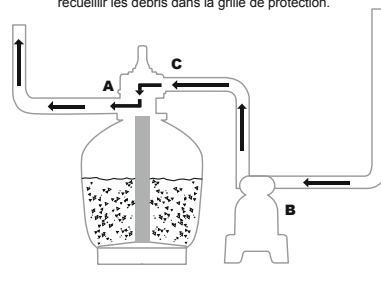
Rinçage : Cette fonction est utilisée pour la mise en marche initiale, le nettoyage et la mise à niveau de la couche de sable après le lavage à contre-courant ; l'eau est aspirée à travers la couche de sable, pompée à travers le collet de raccord et évacuée par l'orifice D.



Drainage : Cette fonction draine l'eau provenant de la piscine ; c'est un autre réglage de by-pass du filtre, l'eau est pompée et déposée en dehors de l'orifice D, au lieu de retourner dans la piscine.



Circulation : Cette fonction fait circuler l'eau de la piscine en by-passant le filtre à sable ; utilisez cette fonction si le filtre est cassé pour recueillir les débris dans la grille de protection.



REMARQUE :

- Contrôlez que toutes les dispositions d'évacuation des eaux usées suivent les réglementations locales ou nationales. N'éliminez pas l'eau là où elle pourrait provoquer une inondation ou des dégâts.
- Quand la soupape de réglage est réglée sur la position Lavage à contre-courant, Rinçage ou Drainage, l'eau est évacuée par l'orifice D de la soupape de réglage.
- Ne branchez pas ou ne faites pas fonctionner le filtre à sable avec la soupape de

- réglage en position Fermeture car cela pourrait endommager le filtre à sable.
- Ne réglez pas la soupape de réglage entre deux fonctions car elle commencera à fuir.
 - Pour éviter les fuites d'eau, vissez le bouchon de l'orifice D sur l'orifice D de la soupape de réglage avant de faire fonctionner le filtre à sable.

Évacuation de l'air

Appuyez sur la poignée de la vanne de commande et attendez que l'eau s'écoule par l'orifice D pour évacuer l'air.

REMARQUE : il est fondamental de répéter cette opération à chaque fois que vous démarrez la pompe après l'hivernage, l'entretien et le lavage à contre-courant du lit de sable.

INSTRUCTIONS POUR LA PREMIÈRE UTILISATION

Il faut effectuer le lavage à contre-courant et le rinçage pour préparer la pompe à sa première utilisation et pour laver le sable.

ATTENTION : NE FAITES PAS FONCTIONNER LE FILTRE À SABLE À SEC

1. Appuyez sur la poignée de la vanne de commande et tournez-la jusqu'à la fonction de lavage à contre-courant.
2. Branchez et faites fonctionner le filtre à sable pendant 3 à 5 minutes ou jusqu'à ce que l'eau soit claire.
3. Éteignez le filtre à sable et réglez la vanne de commande sur la fonction de rinçage.
4. Allumez le filtre à sable et faites-le fonctionner pendant 1 min. Cela fait repasser l'eau à travers le filtre à sable et vidange l'eau par l'orifice D.
5. Éteignez le filtre à sable. Réglez la vanne de commande sur la fonction Ferme.
6. Ajoutez de l'eau dans la piscine si cela s'avère nécessaire.

IMPORTANT : cette procédure enlève l'eau de la piscine, il faut donc que vous la remplaciez.

Éteignez le filtre à sable immédiatement si le niveau de l'eau descend près des vannes d'entrée et de sortie de la piscine.

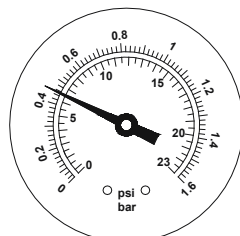


1. Le filtre à sable est prêt pour l'utilisation. Réglez la soupape de réglage sur la fonction Filtration.

REMARQUE : Pour éviter les risques d'électrocution, séchez l'eau sur vous-même et sur le filtre à sable.

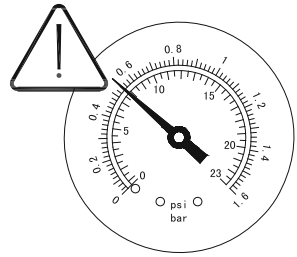
2. Allumez le filtre à sable pour le faire fonctionner.

REMARQUE : Le filtre à sable commence son cycle de filtration. Contrôlez que l'eau retourne dans la piscine et prenez note de la pression sur le manomètre. Généralement, la pression recommandée du filtre à sable est inférieure à 0.45 Bar (6.5 PSI) pendant le fonctionnement.



Entretien du filtre à sable

ATTENTION : Vous devez vérifier que le filtre à sable est coupé et débranché avant de commencer l'entretien car il existe un risque de blessure grave voire mortelle. Au fur et à mesure que la saleté s'accumule à l'intérieur du filtre à sable, la pression augmente sur le manomètre. Quand le manomètre indique 0,45 Bar (6,5 PSI) ou plus, ou que le débit d'eau s'écoulant dans la piscine est trop faible, il est temps de nettoyer le sable. Pour nettoyer le lit de sable, suivez toutes les instructions indiquées précédemment dans le chapitre : **Contre-courant et Rinçage.**

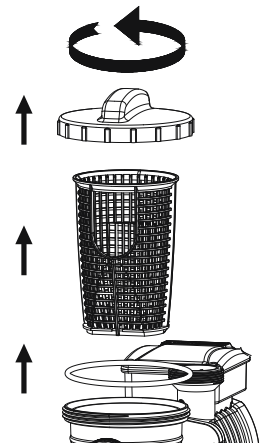


REMARQUE : Le manomètre n'est prévu que pour la maintenance et la valeur du manomètre sert uniquement de référence, il ne faut pas l'utiliser comme instrument de précision.

REMARQUE : Nous vous conseillons de nettoyer le lit de sable une fois par mois ou moins souvent en fonction de la fréquence d'utilisation de la piscine. Ne nettoyez pas trop souvent le sable.

Nettoyage du tamis

1. Débranchez le filtre à sable et réglez la soupape de réglage sur la fonction Fermée.
2. Remplacez les grilles par des bouchons d'obturation pour éviter que l'eau s'échappe.
3. Enlevez le couvercle du tamis en le dévissant.
4. Retirez le tamis et éliminez tous les déchets.
5. Remettez le tamis en place. Assurez-vous que le tamis soit aligné.
6. Assurez-vous que la bague d'étanchéité soit en place. Vissez le couvercle du tamis.
7. Enlevez les bouchons d'obturation et insérez les grilles.



REMARQUE : Le tamis doit être vidé et nettoyé périodiquement. Un tamis sale ou obstrué réduit les performances du filtre à sable.

Diminution ou vidange de l'eau de la piscine

1. Lavez à contre-courant le filtre à sable.
2. Détachez le tuyau de l'orifice A de la piscine et de l'orifice A du filtre à sable et fixez-le à l'orifice D.

REMARQUE : n'oubliez pas de remplacer la grille par un bouchon d'obturation pour éviter que l'eau s'échappe.

3. Allumez le filtre à sable pour faire fonctionner le filtre et évacuer l'eau de la piscine.

ATTENTION : NE FAITES PAS FONCTIONNER LE FILTRE À SABLE À SEC.

Hivernage

Dans les régions où les températures hivernales sont glaciales, il faut ranger l'équipement de piscine pendant l'hiver pour éviter de l'endommager.

Si vous laissez l'eau geler cela endommagera le filtre à sable et rendra la garantie caduque.

1. Lavez à contre-courant le filtre à sable.
2. Videz la piscine en suivant le manuel de la piscine.
3. Dévissez le capuchon de la vanne de vidange en bas du réservoir et laissez sortir l'eau restante.
4. Débranchez les deux tuyaux de la piscine et du filtre à sable.
5. Retirez complètement le sable du réservoir et séchez tous les composants.
6. Conservez le filtre à sable dans un emplacement sec et hors de portée des enfants.

DÉPANNAGE

Problèmes	Éventuelles causes	Solutions
Le sable s'écoule dans la piscine	<ul style="list-style-type: none"> - Le sable est trop petit - Déplacez la vanne de commande de la fonction contre-courant à celle de filtration sans arrêter le filtre à sable - Le niveau du sable est trop élevé - Le skimmer était cassé 	<ul style="list-style-type: none"> - Sable de silice n° 20 de 0,45 à 0,85 mm recommandé - Arrêtez le filtre à sable chaque fois que vous réglez la vanne de commande - Vérifiez si le niveau du sable se trouve entre les indications "MAX" et "MIN" sur l'emboîtement - Remplacez le skimmer
L'eau ne s'écoule pas	<ul style="list-style-type: none"> - Les bouchons d'obturation n'ont pas été enlevés - L'air n'a pas été libéré - La vanne de commande a été réglée sur Fermée - La crépine était bloquée - Le filtre à sable est cassé 	<ul style="list-style-type: none"> - Enlevez les bouchons d'obturation et insérez les grilles - Libérez l'air - Réglez sur la fonction de filtration - Nettoyez la crépine - Appelez le service d'assistance
Pression excessive du filtre	<ul style="list-style-type: none"> - Filtre sale - Lit de sable calcifié - Contre-courant insuffisant - Le manomètre était cassé 	<ul style="list-style-type: none"> - Contre-courant - Inspectez le sable et changez-le si cela s'avère nécessaire - Contre-courant jusqu'à ce que l'effluent soit propre - Remplacez le manomètre
La vanne de commande fuit au niveau de l'orifice D	<ul style="list-style-type: none"> - La vanne de commande a été réglée entre deux fonctions - Le joint était cassé 	<ul style="list-style-type: none"> - Réglez sur une fonction - Remplacez le joint
Fuites au niveau des raccords	<ul style="list-style-type: none"> - La rondelle des raccords n'est pas à sa place - La rondelle des raccords est cassée - Tuyaux desserrés 	<ul style="list-style-type: none"> - Repositionnez la rondelle - Remplacez la rondelle - Serrez-les



FILTRO DE ARENA

MANUAL DE INSTRUCCIONES

INSTRUCCIONES DE SEGURIDAD

¡ADVERTENCIA

INSTRUCCIONES DE SEGURIDAD IMPORTANTES LEA Y RESPETE TODAS LAS INSTRUCCIONES DE SEGURIDAD.

Cuando instale y use este equipamiento eléctrico, deben respetarse siempre las precauciones de seguridad básicas, incluyendo las siguientes:

- La bomba debe estar equipada con un transformador aislante o recibir alimentación eléctrica a través de un dispositivo diferencial residual (RCD) con una intensidad de corriente de régimen nominal no superior a 30 mA.
- La toma de corriente de pared del edificio debe encontrarse a más de 4m de la piscina.
- El aparato debe estar equipado con una fuente de alimentación con toma de tierra.
- **RIESGO DE DESCARGA ELÉCTRICA** - La bomba no se puede poner en marcha mientras haya personas en el interior de la piscina. Prohibido el acceso a la piscina si el filtro de arena está dañado.
- **NO ENTIERRE EL CABLE.** Sitúe el cable en un lugar adecuado para evitar que lo dañen las cortadoras de césped, cizallas para cortar setos, y cualquier otro equipamiento similar.
- Para reducir el riesgo de descarga eléctrica, sustituya el cable dañado inmediatamente.
- Si el cable de suministro está dañado, debe ser sustituido por el fabricante, su agente de servicio o una persona con una cualificación similar para evitar cualquier accidente.
- Prohibido el uso de cables de prolongación.
- Riesgo de descarga eléctrica. Usar el filtro de arena con un suministro eléctrico que no corresponda con el indicado es peligroso y puede dañar de manera permanente el filtro de arena.
- No quite la toma de tierra ni modifique de ninguna manera el enchufe. No use adaptadores para enchufes. Consulte con un técnico electricista cualificada para cualquier cuestión relacionada con los enchufes o las tomas de tierra.
- Maneje el filtro de arena con cuidado. No lleve ni tire del filtro de arena desde

el cable de alimentación. No saque nunca el enchufe de la toma tirando del cable de alimentación. Mantenga el cable sin quemaduras. No debe exponerse el filtro de arena a objetos afilados, aceite, partes en movimiento y el calor.

- Desenchufe siempre este producto de la toma eléctrica antes de quitar, limpiar, efectuar operaciones de mantenimiento o realizar cualquier tipo de ajuste en el producto.
- No enchufe ni desenchufe el aparato con las manos húmedas.
- Desenchufe siempre el aparato:
 - en días lluviosos,
 - antes de limpiar o realizar otras operaciones de mantenimiento,
 - si queda sin supervisión durante las vacaciones
- Cuando el aparato no se vaya a utilizar durante un tiempo (por ejemplo, en invierno), el kit de piscina debe guardarse en el interior.
- **PRECAUCIÓN:** Lea las instrucciones antes de usar el aparato, durante la instalación/un nuevo montaje.
- Guarde las instrucciones en un lugar seguro. Consulte siempre las instrucciones cuando deba volver a montar la piscina.
- Las instalaciones eléctricas deben cumplir la normativa nacional en materia de cableado. Póngase en contacto con un electricista calificado para resolver cualquier duda.

PRECAUCIÓN: Este filtro de arena puede usarse sólo con piscinas que se guardan. No lo use con piscinas instaladas de manera permanente. Una piscina que se puede guardar se fabrica de manera que se puede desmontar rápidamente para guardarla y volver a montarla de nuevo. Una piscina instalada de manera permanente dentro del suelo o sobre el mismo o en una construcción no puede ser desmontada para guardarla.

- Este aparato puede ser utilizado por niños mayores de 8 años y personas con capacidades físicas, sensoriales o mentales disminuidas o con falta de experiencia y conocimiento si cuentan con la supervisión adecuada o reciben instrucciones precisas respecto al uso del aparato de una forma segura y comprenden los riesgos asociados. No permita que los niños jueguen con el aparato. Las operaciones de limpieza y mantenimiento no deben ser realizadas por niños sin supervisión. (Para el mercado de la UE)
- Este aparato no está pensado para ser utilizado por personas (incluidos niños) con capacidades físicas, sensoriales o mentales reducidas o con falta de experiencia y conocimiento, a no ser que sea bajo supervisión o después de

recibir instrucciones precisas respecto al uso del aparato de una persona responsable de su seguridad. En presencia de niños, mantenga el aparato bajo control para evitar que jueguen con él. (Solo para mercados distintos de la UE)

- La limpieza y el mantenimiento son operaciones que deberá realizar un adulto mayor de 18 años familiarizado con el riesgo de descargas eléctricas.

NOTA:

- Sitúe el filtro de arena en un lugar sólido y nivelado. Asegúrese de que el filtro de arena está a al menos dos metros del lado de la piscina. Aléjelo lo máximo posible.
- Preste atención a la posición de la piscina y del filtro de arena, de manera que se asegure una ventilación, drenaje y acceso adecuados durante las operaciones de mantenimiento. No sitúe nunca el filtro de arena en un área que pueda acumular agua, o en un camino donde haya mucho tránsito de personas.
- Es necesario poder acceder al enchufe después de la instalación de la piscina. El enchufe del filtro de arena debe estar a al menos 3,5 m de la piscina.
- Las condiciones atmosféricas pueden afectar al rendimiento y la duración del filtro de arena; tome las medidas necesarias para proteger el filtro de arena de un desgaste innecesario y de roturas que podrían producirse durante los periodos de calor o frío y/o debido a la exposición al sol.
- Por favor, examine y compruebe todos los componentes del filtro de arena antes del uso. Notifique al servicio al cliente de Bestway en la dirección indicada en este manual cualquier pieza que falte o esté dañada en el momento de la compra.
- Es imprescindible cambiar todas las piezas deterioradas tan pronto como sea posible. Utilice únicamente piezas especificadas por el fabricante.
- No permita que los niños o los adultos se sienten o se apoyen en el aparato.
- No añada productos químicos al filtro de arena.
- Cuando utilice productos químicos para limpiar el agua de la piscina, es recomendable respetar el tiempo mínimo de filtrado para proteger la salud de los nadadores, lo que depende del cumplimiento de las normas sanitarias.
- Para la instalación del producto solo deben utilizarse los materiales proporcionados o especificados por el fabricante.
- Es fundamental comprobar que las aperturas de succión no estén obstruidas.
- Es aconsejable detener el filtrado durante las operaciones de mantenimiento del sistema de filtrado.
- Compruebe regularmente el nivel de obstrucción del filtro.
- Se recomienda realizar un control semanal para limpiarlo. El tiempo de

funcionamiento diario mínimo recomendado para garantizar la limpieza del agua de la piscina es de 8 horas.

- Es fundamental cambiar cualquier pieza o conjunto de piezas dañadas lo antes posible. Utilice solo piezas aprobadas por la persona responsable de poner este producto en el mercado.
- Todos los filtros y medios de filtrado deben ser comprobados regularmente para garantizar que no haya una acumulación de residuos y garantizar la buena calidad del filtrado. La eliminación de cualquier medio de filtrado debe efectuarse de acuerdo con las normativas/leyes aplicables.
- Preste atención a todos los requisitos y recomendaciones del presente manual. En caso de duda acerca de la bomba o sobre cualquier dispositivo de circulación, póngase en contacto con un instalador cualificado o con el fabricante/importador/distribuidor. La instalación de circulación del agua debe cumplir con las normativas europeas, nacionales y locales, especialmente por lo que respecta a asuntos eléctricos. Cualquier cambio de posición de la válvula, del tamaño de la bomba o del tamaño de la rejilla podría causar un cambio en el caudal y la velocidad de succión podría aumentar.
- Este producto no ha sido diseñado para un uso comercial.

Lea atentamente el manual de instrucciones y guárdelo para futuras consultas.

CONSERVE ESTAS INSTRUCCIONES

ELIMINACIÓN



Significado de la papelera tachada con ruedas:

No tire los aparatos eléctricos con los residuos municipales no clasificados, use los sistemas de recogida separada. Póngase en contacto con las autoridades municipales para conocer los sistemas de recogida disponibles. Si se tire los aparatos eléctricos en vertederos o en descargas, las sustancias peligrosas pueden llegar a las corrientes de agua e introducirse en la cadena alimentaria, dañando su salud y bienestar. Cuando sustituya los aparatos antiguos, el vendedor está legalmente obligado a recoger su antiguo aparato para su correcta eliminación sin ningún cargo adicional.

ESPECIFICACIONES

	Diámetro del filtro:	254 mm
	Área de filtrado efectiva:	0.05 m ² (0.54 ft ²)
	Presión de funcionamiento máx.:	0.83 Bar(12 PSI)
	Presión de filtrado de arena de funcionamiento:	<0.45 Bar(6.5 PSI)
	Temperatura del agua máx:	35°C
	Arena:	No incluida
	Tamaño de la arena:	#20 arena silíceas, 0,45-0,85 mm
Capacidad de arena:	9 kg aproximadamente	

VISTA GENERAL DE REFERENCIA DE LAS PARTES

Antes de montar el filtro de arena, tome unos minutos para familiarizarse con todas las piezas del filtro de arena.

A

B

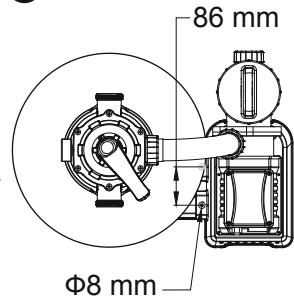
C

Nº REF.	Nº PIEZA RECAMBIO	A	B	C
1	P05243	1	1	1
2	P61138ASS16	1	1	1
3	P05242	2	2	2
4	P61209ASS16	1	1	1
5	P05237	1	1	1
6	P03838	1	1	1
7	P61211ASS16	1	1	1
8	P6581ASS16	1	1	1
9	P6580ASS16	1	1	1
10	P05241	1	1	1
11	P6614ASS16	1	1	1
12	P6029ASS16	5	5	5
13	P05240	1	1	1
14	P61214ASS16	1	1	1
15	P03841	8	8	8
16	P05236	1	1	1
17	P6916ASS16	2	2	0
19	P6124ASS16	2	2	0
20	P6561ASS16	1	1	1
21	P6562ASS16	1	1	1
22	P6563ASS16	1	1	1
23	P05239	1	1	1
24	P05235	1	1	1
25	P05238	2	2	2
26	P61322ASS16	1	0	0
	P61318ASS16	1	0	0

Montaje (Se requiere un destornillador.)



1. Saque con cuidado todos los componentes del paquete y compruebe que ninguno está dañado. Si el equipamiento está dañado, notifíquelo inmediatamente al vendedor donde ha comprado el equipamiento.
2. El filtro de arena debe situarse en un lugar sólido y nivelado, preferiblemente en una losa de cemento. Coloque el filtro de arena de manera que se pueda acceder a los puertos y la válvula de control para efectuar el funcionamiento, operaciones de mantenimiento y protección durante el invierno.
3. El EN60335-2-41 TEST requiere que el filtro de arena esté fijado verticalmente al suelo y colocada sobre un pedestal de madera o de cemento antes de ser utilizado para evitar que el filtro de arena pueda caer accidentalmente. Una vez montado, el filtro de arena tiene un peso superior a 18kg. Los agujeros de montaje deben tener un diámetro de 8mm y un espacio de 86mm entre ellos. Utilice dos tornillos y tuercas de un diámetro máximo de 8mm para asegurar el filtro de arena al pedestal.



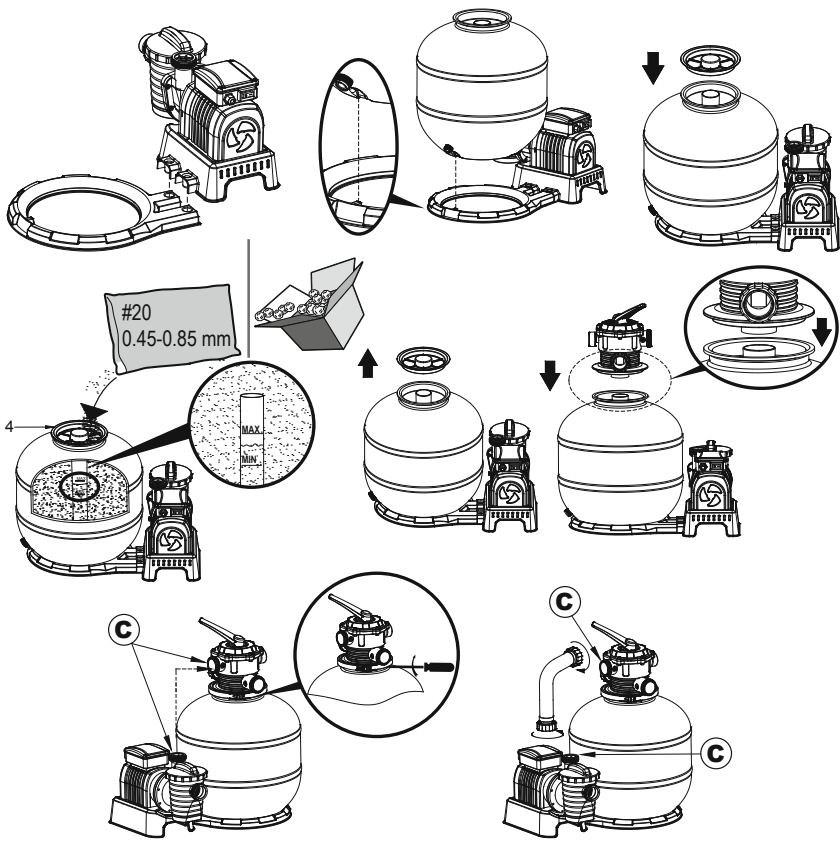
Cargue el filtro de piscina de arena/vidrio/bolas filtrantes Flowclear™ Polysphere.

NOTA: Use sólo la arena de filtrado del tipo indicado, sin caliza ni arcilla: #20 arena silíceo de 0,45-0,85 mm, aproximadamente, una bolsa de 9kg. debería ser suficiente. Si no utiliza un filtro de arena del tamaño recomendado, la eficacia de filtrado se verá reducida y el filtro de arena podría sufrir daños, dejando la garantía sin validez. Si quieres usar vidrio: 0.4-1.6 mm, sobre 7.2kg.

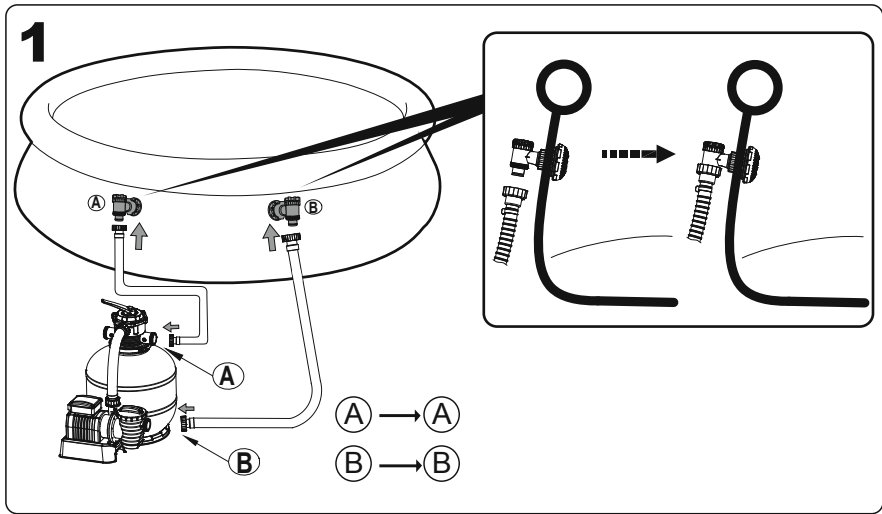
NOTA: Para evitar dañar el skimmer al añadir la arena, eche un poco de agua en el depósito inferior para sumergir el skimmer en el casquillo de recogida.

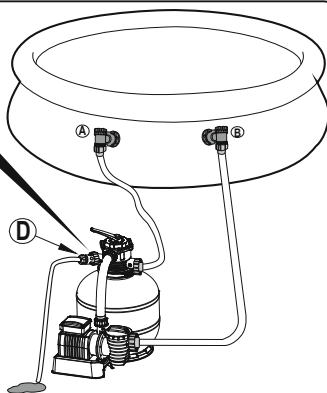
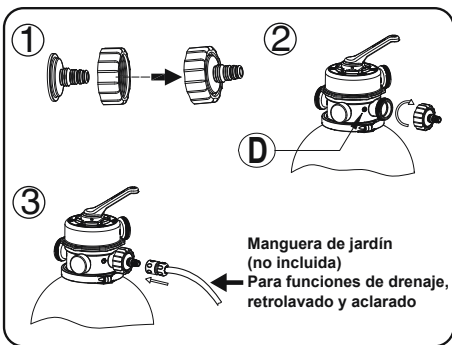
NOTA: No Se incluye la arena ni el vidrio ni las bolas filtrantes Flowclear™ Polysphere.

NOTA: Use 28g (0,06 lbs) de bolas filtrantes Flowclear™ Polysphere para reemplazar 1kg (2,20 lbs) de arena.

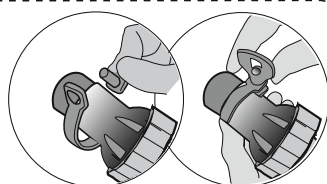
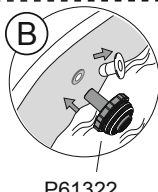
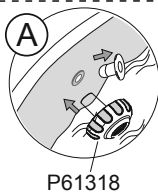
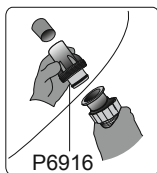


Conexión a la piscina



2

Para piscinas con válvula de 32mm(1,25 pul)

**ALTO**

Lea atentamente el manual de instrucciones antes de enchufar el producto.

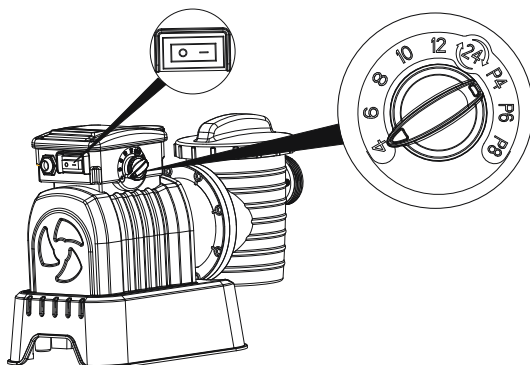
FUNCIONAMIENTO

Temporizador

1. Conecte a la fuente de alimentación, lleve el interruptor de encendido a la posición de encendido "ON" (-). El filtro de arena comienza a funcionar inmediatamente.
2. Lleve el interruptor de encendido a la posición de apagado "OFF" (0). El filtro de arena detiene inmediatamente su funcionamiento.
3. Después del encendido, es posible programar el tiempo de funcionamiento, el tiempo de pausa y el tiempo del ciclo llevando la perilla a la posición deseada. Consulte los detalles en la tabla de abajo.
4. Cuando la perilla del temporizador se lleva a una posición nueva, el ciclo previo del filtro se cancela automáticamente y comienza el ciclo nuevo.
5. Cada vez que se enciende o se reenciende el filtro, comienza un

ciclo nuevo de acuerdo con la posición de la perilla del temporizador.

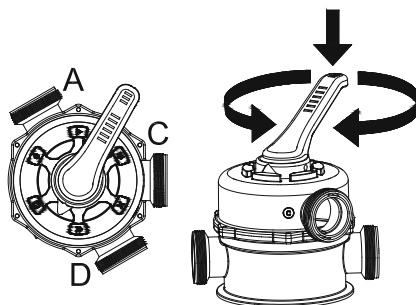
NOTA: Si la perilla se coloca en la posición de 24 horas (24), el filtro de arena funciona continuamente sin periodo de pausa.



Posición de la perilla	Tiempo de funcionamiento (H)	Tiempo de pausa (H)	Periodo del ciclo (H)
4	4	20	24
6	6	18	24
8	8	16	24
10	10	14	24
12	12	12	24
24	24	0	24
P4	4	4	8
P6	6	6	12
P8	8	8	16

VISTA GENERAL DE LA VÁLVULA DE CONTROL

ADVERTENCIA: Para evitar daños al equipo o heridas a las personas, desenchufe cada vez la bomba del filtro de arena antes de cambiar la función de la válvula de control. Si se cambia las posiciones de la válvula mientras la bomba está en funcionamiento, se puede dañar la válvula de control, lo que puede provocar heridas a personas o daños a los objetos.



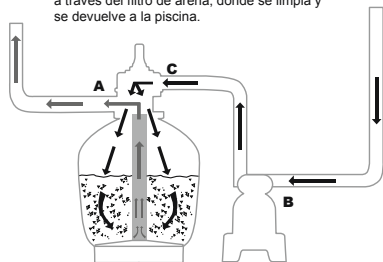
Cómo usar la válvula de control

Apriete en el asa de la válvula de control y gire hasta la función deseada.

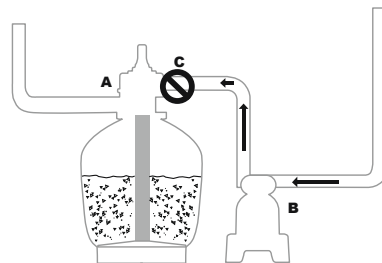
FUNCIONES DE LA VÁLVULA DE CONTROL

La válvula de control se usa para seleccionar 6 funciones de filtrado diferentes: Filtrado, cierre, retrolavado, aclarado, drenaje y circulación.

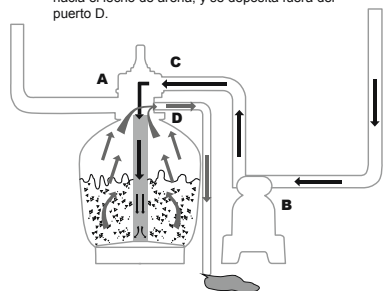
Filtrado: Esta función se usa para filtrar el agua de la piscina y debería estar colocada aquí el 99% del tiempo. El agua es bombeada a través del filtro de arena, donde se limpia y se devuelve a la piscina.



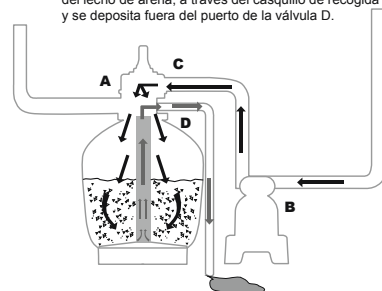
Cierre: Esta función impide que el agua salga entre el filtro de arena y la piscina.



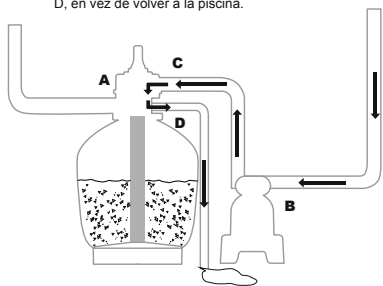
Retrolavado: Esta función se usa para limpiar el lecho de arena; se bombea agua a través del casquillo de recogida, hacia arriba hacia el lecho de arena, y se deposita fuera del puerto D.



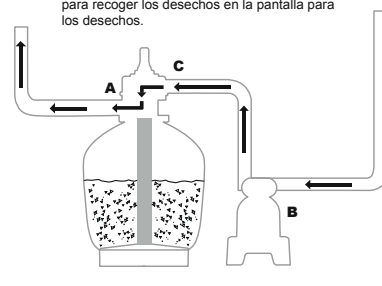
Aclarado: Esta función se usa para el inicio, limpieza y nivelado del lecho de arena después del retrolavado; se bombea el agua hacia abajo a través del lecho de arena, a través del casquillo de recogida y se deposita fuera del puerto de la válvula D.



Drenaje: Esta función drena el agua de la piscina; con otro ajuste del bypass del filtro, el agua se bombea y se deposita fuera del puerto D, en vez de volver a la piscina.



Circulación: Esta función hace circular el agua de la piscina bypassando el filtro de arena; se debe usar esta función si el filtro está roto para recoger los desechos en la pantalla para los desechos.



NOTA:

- Asegúrese de haber tomado todas las medidas necesarias para cumplir las normas locales, regionales o nacionales en esta materia. No descargue el agua si ello puede provocar inundaciones o daños.
- Cuando la válvula de control está fijada en las posiciones de retrolavado, aclarado, o drenaje, el agua se descargará desde el puerto D en la válvula de control.

- No enchufe ni haga funcionar el filtro de arena con la válvula de control fijada en la posición de cierre o dañará seriamente el filtro de arena.
- No fije la válvula de control entre dos funciones, o se producirán pérdidas.
- Para evitar pérdidas de agua, enrosque el tapón del puerto D en el puerto D de la válvula de control antes de hacer funcionar el filtro de arena.

Salida de aire

Presione hacia abajo la palanca de la válvula de control y espere hasta que el agua fluya desde el puerto D para liberar el aire.

NOTA: Es importante repetir esta operación siempre que ponga la bomba en funcionamiento después de largos períodos de tiempo fuera de uso, de una operación de mantenimiento y de un retrolavado del lecho de arena.

INSTRUCCIONES PARA EL PRIMER USO

Deben llevarse a cabo el retrolavado y el aclarado para preparar la bomba para su primer uso y lavar la arena.

PRECAUCIÓN: NO HAGA FUNCIONAR NUNCA EL FILTRO DE ARENA SIN AGUA

1. Presione hacia abajo la palanca de la válvula de control y gírela a la posición de retrolavado.
2. Enchufe y ponga en funcionamiento el filtro de arena durante 3 a 5 minutos o hasta que el agua salga limpia.
3. Desconecte el filtro de arena y ajuste la válvula de control en la función de aclarado.
4. Encienda el filtro de arena y haga funcionar el filtro de arena durante 1 minuto. Esto hace circular el agua hacia atrás a través del filtro de arena y drena el agua por el puerto D.
5. Apague el filtro de arena. Ajuste la válvula de control en la función de cierre.
6. Rellene el agua de la piscina en caso necesario.

IMPORTANTE: Este procedimiento hace bajar el nivel de agua de la piscina; rellene para recuperar el nivel de agua adecuado.

Desenchufe el filtro de arena de inmediato si el nivel de agua se acerca a las válvulas de entrada y salida de la piscina.

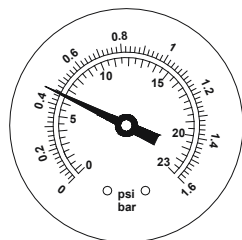


1. Ahora el filtro de arena está listo para su uso. Fije la válvula de control en la función de filtrado.

NOTA: Para evitar el riesgo de descarga eléctrica, seque cualquier agua sobrante de usted mismo y del filtro de arena.

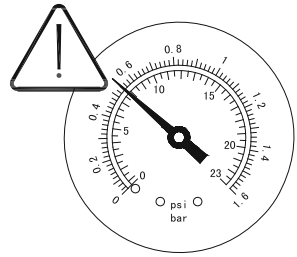
2. Encienda el filtro de arena para que funcione.

NOTA: Ahora el filtro de arena ha comenzado su ciclo de filtrado. Compruebe que el agua vuelve a la piscina y tome nota de la presión de filtrado en el presostato. Normalmente, se recomienda que la presión de filtrado de la arena sea inferior a 0.45Bar (6.5PSI) cuando está funcionando.



Mantenimiento del filtro de arena

PRECAUCIÓN: Asegúrese de que el filtro de arena está apagado y desconectado antes de comenzar el mantenimiento o existirá un riesgo de lesiones graves o incluso de muerte. A medida que se acumula suciedad en el filtro de arena, la lectura de presión del manómetro aumenta. Cuando el manómetro muestre una presión de 0,45 Bar (6,5 PSI) o superior, o cuando el agua que fluye a la piscina sea demasiado poca, habrá que limpiar la arena. Para limpiar el lecho de arena, siga las instrucciones indicadas previamente en: **Retrolavado y aclarado.**

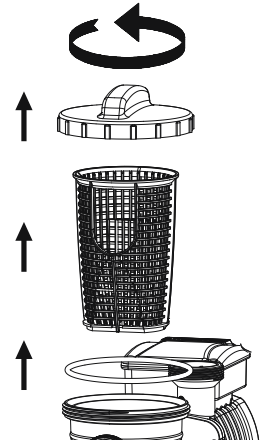


NOTA: El manómetro debe usarse solo para operaciones de mantenimiento y su valor sirve solo como referencia, no debe usarse como instrumento de precisión.

NOTA: Le recomendamos que limpie el lecho de arena una vez al mes o con menos regularidad, dependiendo del uso de la piscina. No limpie la arena con demasiada frecuencia.

Limpieza del tamiz

1. Desconecte el filtro de arena y fije la válvula de control en la función cerrada.
2. Vuelva a colocar las rejillas para residuos con los tapones de tope para evitar que se escape el agua.
3. Quite la tapa del tamiz desenroscándola.
4. Quite el tamiz, extraiga los restos depositados.
5. Vuelva a poner el tamiz en su posición. Asegúrese de que el agujero en el tamiz está alineado.
6. Asegúrese de que el anillo del sello está en su lugar. Vuelva a enroscar la tapa del tamiz.
7. Retire los tapones de tope e inserte las rejillas para residuos.



NOTA: El tamiz debe vaciarse y limpiarse periódicamente. Un tamiz sucio o bloqueado reducirá el rendimiento del filtro de arena.

Vaciar o reducir el nivel de agua de la piscina

1. Haga un retrolavado del filtro de arena.
2. Desconecte la manguera del puerto A de la piscina y el puerto A del filtro de arena y acóplela al puerto D.

NOTA: No olvide volver a colocar las rejillas para residuos con los tapones de tope para evitar que se escape el agua.

3. Enchufe el filtro de arena para poner el filtro en funcionamiento y retirar agua de la piscina.

ADVERTENCIA: NO HAGA FUNCIONAR NUNCA EL FILTRO DE ARENA SIN AGUA.

Almacenamiento durante largas temporadas

En las zonas con temperaturas invernales frías, el equipo de la piscina debe almacenarse adecuadamente para que no resulte dañado.

Permitir que el agua se congele dañará el filtro de arena y dejará la garantía sin validez.

1. Haga un retrolavado del filtro de arena.
2. Drene la piscina de acuerdo con el manual de instrucciones de la piscina.
3. Desensrosque el tapón de la válvula de drenaje del fondo del depósito y vacíe el agua restante.
4. Desconecte las dos mangueras de la piscina y el filtro de arena.
5. Saque toda la arena del depósito y seque todos los componentes.
6. Guarde el filtro de arena en un sitio seco fuera del alcance de los niños.

SOLUCIÓN DE PROBLEMAS

Problemas	Posibles causas	Soluciones
Fluye arena hasta la piscina	<ul style="list-style-type: none">- Arena demasiado fina- Cambie la válvula de control de la función de retrolavado a la función de filtrado sin detener el filtro de arena- El nivel de la arena es demasiado alto- El recogehojas está roto	<ul style="list-style-type: none">- Se recomienda arena de sílice #20 de 0,45 mm a 0,85 mm- Detenga el filtro de arena cada vez que ajuste la válvula de control- Compruebe si el nivel de arena se encuentra entre las marcas «máx.» y «mín» en el casquillo- Cambie el recogehojas
No fluye el agua	<ul style="list-style-type: none">- Los tapones de tope no se retiraron- No sale aire- La válvula de control se ajustó en posición cerrada- El tamiz está bloqueado- El filtro de arena está roto	<ul style="list-style-type: none">- Retire los tapones de tope e inserte las rejillas para residuos- Deje salir aire- Ajuste en la función de filtrado- Limpie el tamiz- Llame al servicio técnico
Demasiada presión en el filtro	<ul style="list-style-type: none">- Filtro sucio- Lecho de arena calcificado- Retrolavado insuficiente- El manómetro está roto	<ul style="list-style-type: none">- Retrolavado- Inspeccione la arena y cambie en caso necesario- Retrolavado hasta que los efluentes salgan limpios- Cambie el manómetro
La válvula de control presenta fugas en el puerto D	<ul style="list-style-type: none">- La válvula de control se ajustó entre dos funciones- La junta está rota	<ul style="list-style-type: none">- Ajuste en una función- Cambie la junta
Los conectores presentan fugas	<ul style="list-style-type: none">- Arandela de los conectores fuera de lugar- Arandela de los conectores rota- Mangueras sueltas	<ul style="list-style-type: none">- Recolecte la arandela- Cambie la arandela- Apriételos



Pour le service après-vente contacter directement votre distributeur.

www.yzaki-piscine.com

Made in China/Fabriqué en Chine/Fabricado en China/Hergestellt in China/Prodotto in Cina